



## Standard Electric

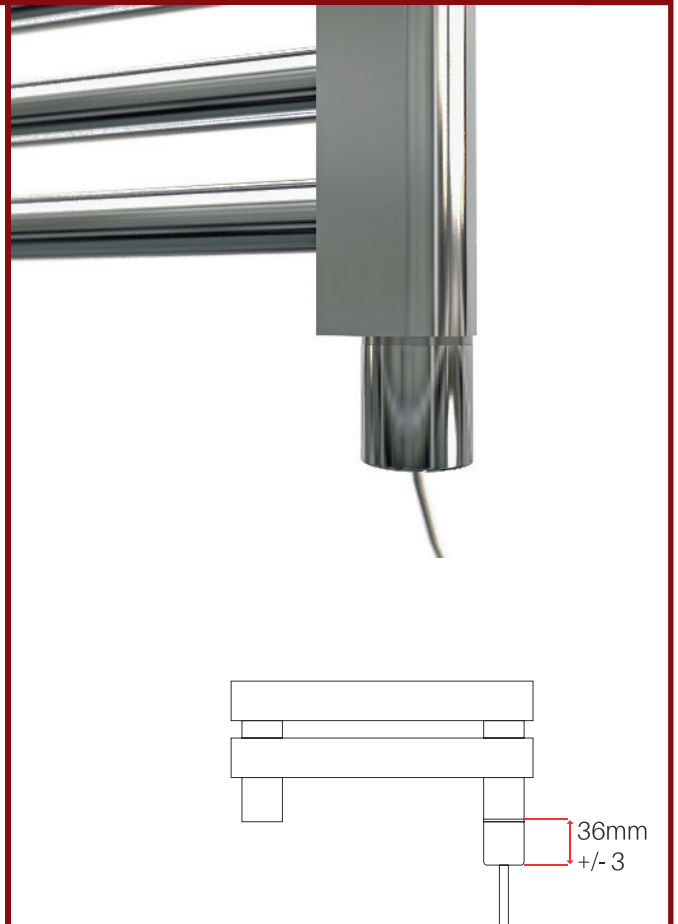
### To be added to chosen towel rail

Once you have chosen your desired radiator, choose your electric option. The cost of your chosen electric option should be added to the cost of the radiator.

Your radiator is then converted into a sealed electric unit, ready to be connected to your electric power supply.

The Standard Electric option does not come with an adjustable temperature control. We recommend employing the use of a wall plate controller, so that you are able to adjust the output of your radiator.

The elements used in standard all electric radiators are rated IP55.



## Standard Hybrid Heating

### To be added to chosen towel rail

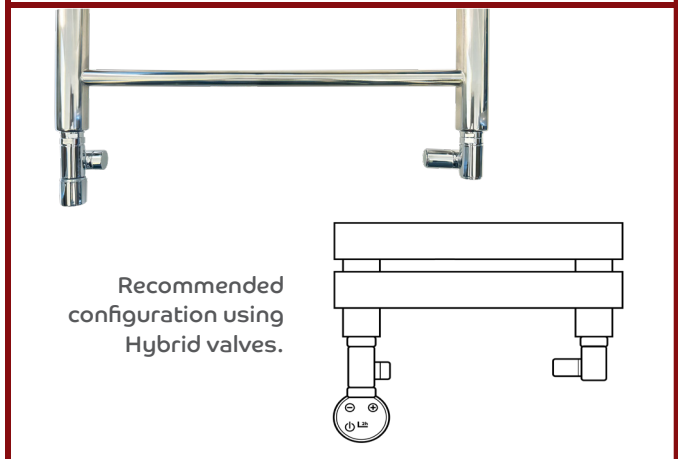
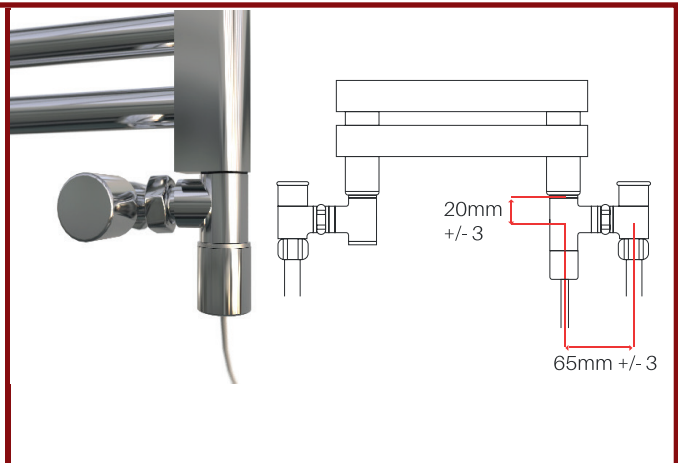
Hybrid Heating (Dual Fuel) kits enable you to use your towel rail on your central heating system or as an electric option, when the central heating is not being used.

Simply ask your fitter for operating instructions.

The cost of your chosen Hybrid Heating option should be added to the cost of the radiator. Radiator valves will also be required for Hybrid Radiators.

The Standard Hybrid Heating option does not come with an adjustable control. We recommend employing the use of a wall plate controller, so that you are able to adjust the output of your radiator.

The elements used in standard Hybrid Heating options are rated IP55.





### Thermostatic Electric

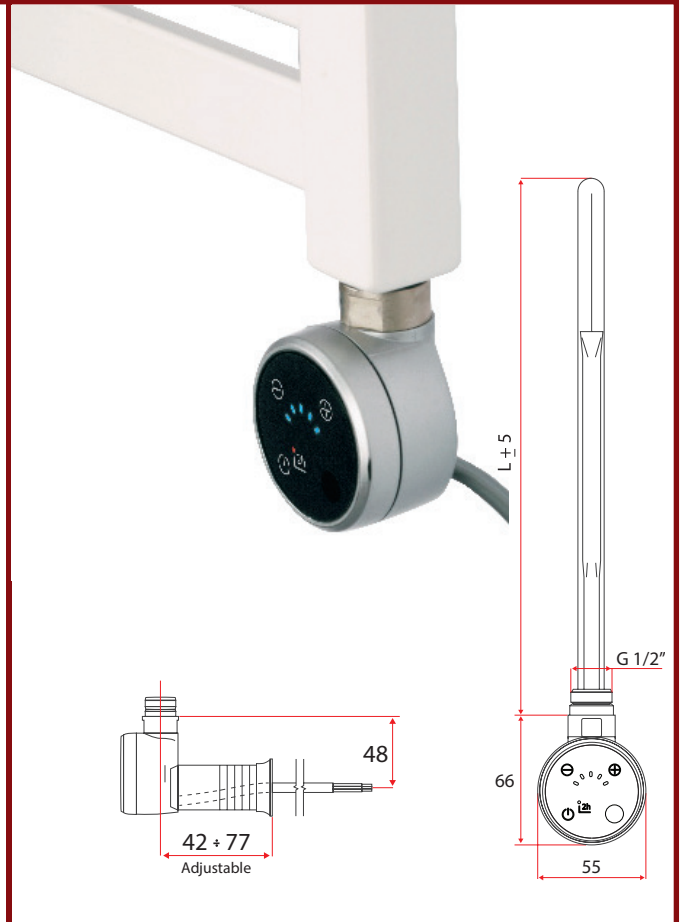
#### To be added to chosen towel rail

Once you have chosen your desired radiator, choose your electric option. The cost of your chosen electric option should be added to the cost of the radiator.

Your radiator is then converted into a sealed electric unit, ready to be connected to your electric power supply.

The Thermostatic Electric option comes with an adjustable temperature controller which regulates the temperature of the radiator and can be used with a compatible remote control.

The elements used in Thermostatic Electric options are rated IPX5.



### Thermostatic Hybrid Heating

#### To be added to chosen towel rail

Hybrid Heating (Dual Fuel) kits enable you to use your towel rail on your central heating system or as an electric option, when the central heating is not being used.

Simply ask your fitter for operating instructions.

The cost of your chosen Hybrid Heating option should be added to the cost of the radiator. Radiator valves will also be required for Hybrid Radiators.

The Thermostatic Hybrid Heating option comes with an adjustable temperature control which regulates the temperature of the radiator and can be used with a compatible remote control.

The elements used in Thermostatic Hybrid Heating options are rated IPX5.

